

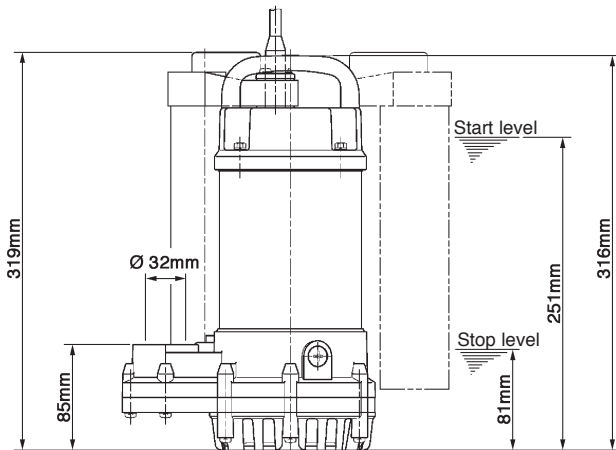
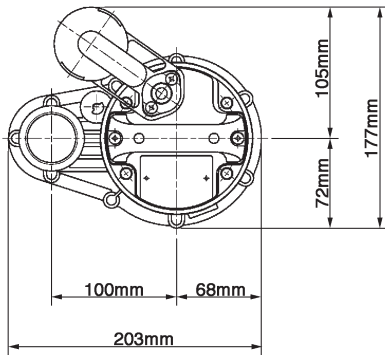


# TSURUMI PUMP

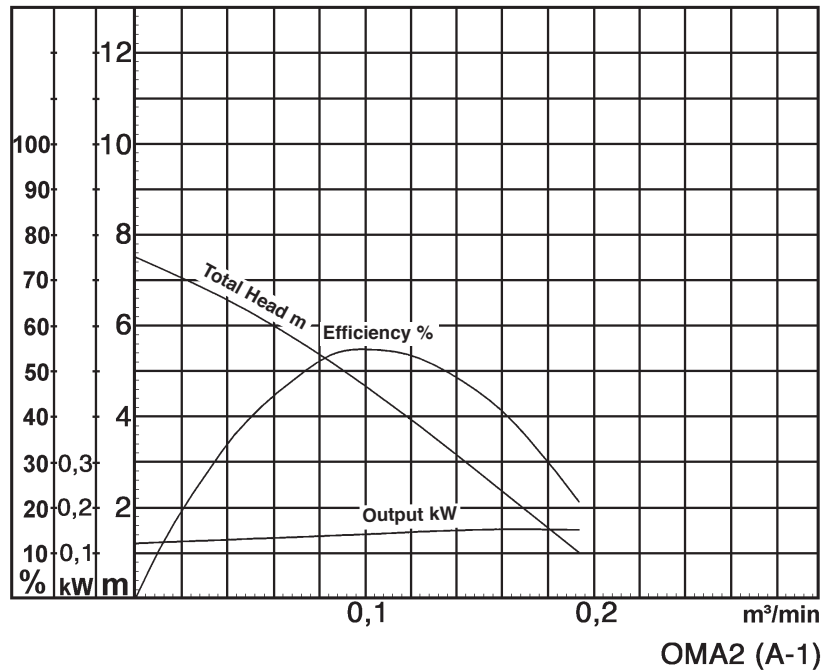
## OMA2

- data sheet
  - parts list
  - exploded view
  - dimensional drawing
  - sectional drawing
  - performance curve
- 
- parts list as Excel-spreadsheet

# Data Sheet OMA2



OMA2 (A-14082-1)



## Classification

Electric submersible pump  
 Protection class IP68  
 Depth of submersion max. 20m  
 Vortex impeller  
 Impeller passage 10mm  
 Suitable for sewage water, various waste water

## Electric Motor

Dry-type submersible induction motor,  
 Insulation class E, 2 poles, 2850 r.p.m.  
 Capacitor start  
 Voltage: 110/230V, 50Hz, 1-phase  
 Power input: 0,305kW  
 Power output: 0,150kW  
 Nominal current: 3,1A/1,6A  
 Start current: 8,1A/4,3A

## Electric Cable

10m H07RN-F 3Cx1mm<sup>2</sup>

## Motor Protection

Circle thermal protector  
 (snap-action bi-metal device)

## Shaft Seal

Double mechanical seal in oil bath  
 Primary Seal:  
 silicon carbide on silicon carbide  
 Secondary Seal:  
 ceramic on carbon

## Bearings

Shielded ball bearings, maintenance-free

## Materials

Impeller:	Fibre reinforced plastic
Casing upper:	Fibre reinforced plastic
Casing lower:	Fibre reinforced plastic
Motor frame:	SUS304 (EN-X5CrNi18-10)
Shaft:	SUS403 (EN-X6Cr13)

## Discharge Connection

1,5" (32mm) screwed-in mating flange

## Weight

6,14 kg (dry weight of the pump)

## Special Feature

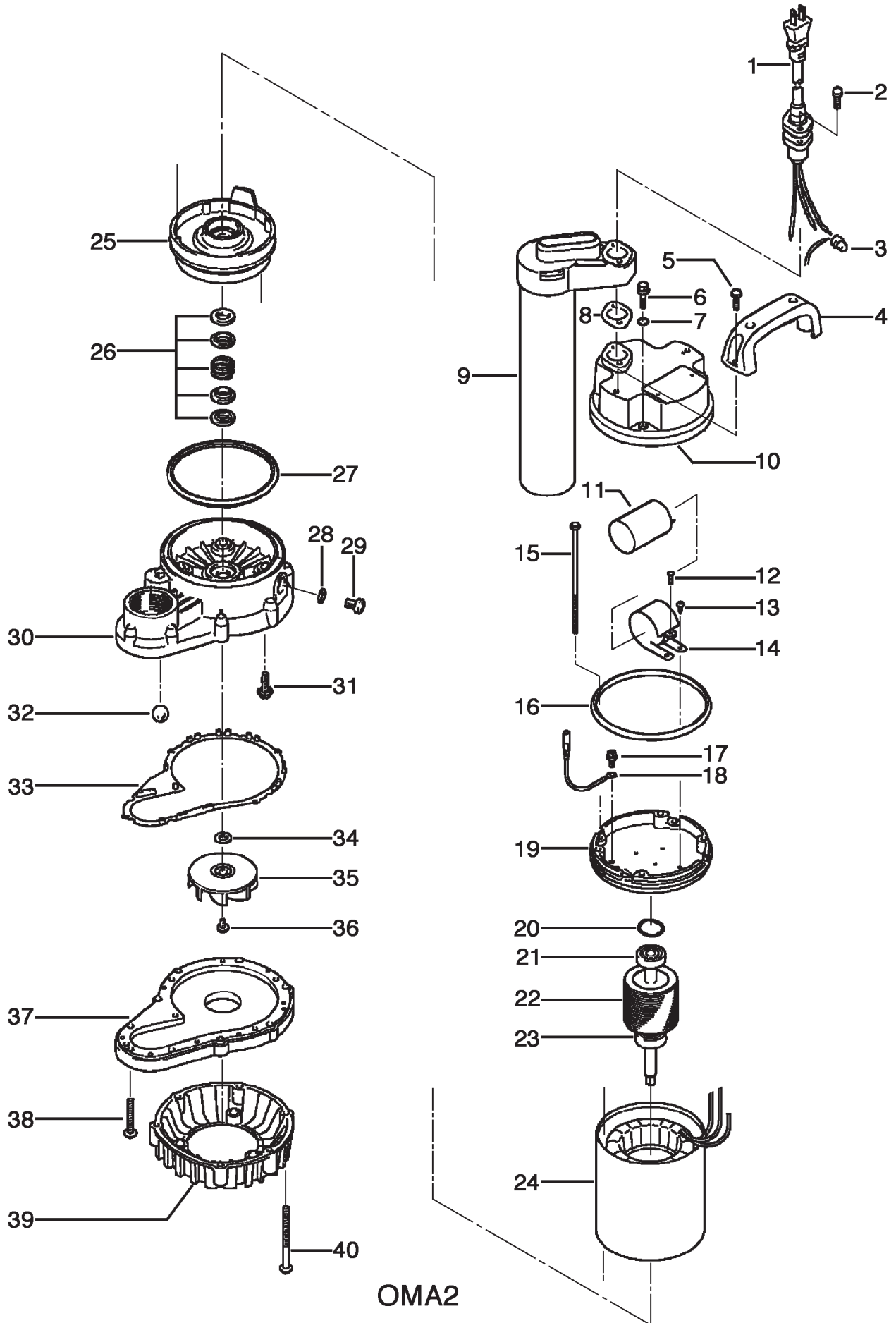
Level control by float switch

# OMA-2

06.02.2005

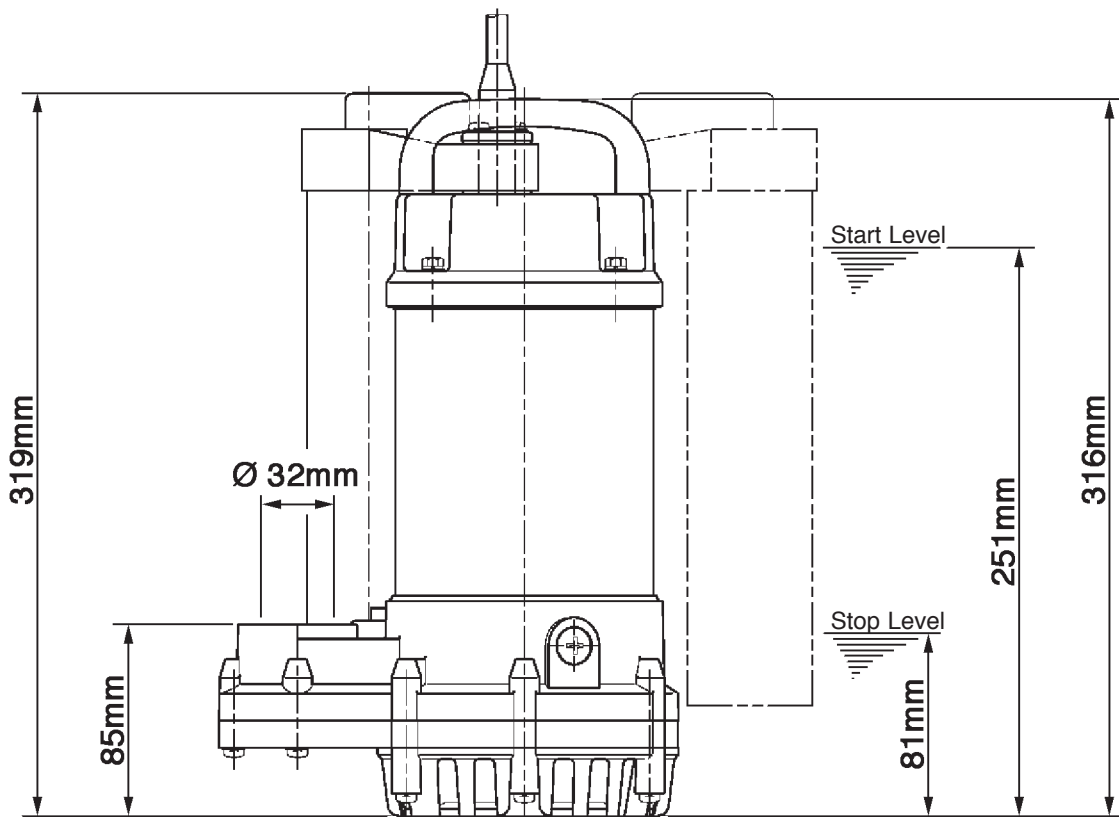
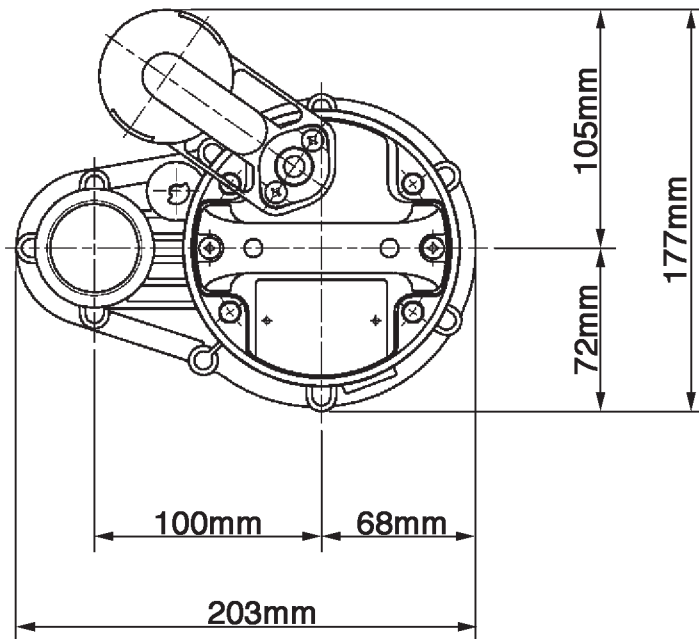
ITEM	CODE No.	DESCRIPTION	Q'TY	SIZE	MATERIAL	WEIGHT kg	REMARKS
1	001-003-91	Cabtyre Cable Set (10m)110V-50Hz(EU)	1	H07RN3Cx1mm2	TF-11		
1	001-350-14	Cabtyre Cable Set (3m)220/230/240V-5	1	H07RN3Cx1mm2(CEE-W/F	F-11		
2	143-000-20	Tapping Screw (w/Plain Washer)	2	M5x38	SUS304		
3	009-120-17	Terminal	3	1-SD	CU	0.001	
4	068-000-19	Handle	1		Resin		
5	143-146-18	Tapping Screw (w/Plain Washer)	2	M5x20	SUS304	0.001	
6	140-000-34	Hex.Bolt (w/Spring/Plain Washer)	4	M5x25(14L)	SUS304		
7	122-003-17	O-Ring	4	P-5	NBR		*
8	121-239-11	Packing	1	FAMILY-10A(P.C.28)	Slicon	0.001	*
9	106-000-05	Float Set	1set	OMUA-2	Resin	0.225	
10	051-000-14	Motor Head Cover	1		Resin		
11	076-000-24	Capacitor 110V-50Hz(EUR)	1	28MFD-220VAC			
11	076-000-24	Capacitor 220/230/240V-50Hz(EUR)	1	28MFD-220VAC			
12	143-000-22	Tapping Screw	1	M3x10	SWCH		
13	143-086-22	Pan Screw (w/Spring Washer)	2	M4x8	SWRM	0.001	
14	127-000-23	Capacitor Fixing Plate	1		SPCC		
15	143-000-21	Pan Screw	4	M4x115(30L)	SS		
16	121-000-63	Packing	1	d110.5xd115.5x4.5l	NBR		*
17	140-452-11	Hex.Bolt (w/Spring/Plain Washer)	1	M4x8	BSBM		
18	009-000-46	Earth Terminal	1Set	1.25mm2x175L			
19	050-000-34	Motor Bracket	1		ADC		
20	142-388-11	Wave Washer	2	#6201(D=30.6)	S65CM		
21	052-100-15	Bearing	1	6201ZZC3		0.04	
22	055-000-94	Rotor	1Set	w/Bearing			
23	052-100-15	Bearing	1	6201ZZC3		0.04	
24	056-002-19	Stator 110V-50Hz(EUR)	1Set	w/M. Frame			
24	056-002-21	Stator 220/230/240V-50Hz(EUR)	1Set	w/M. Frame			
25	060-000-65	Bearing Housing	1		ADC		
26	025-207-22	Mechanical Seal	1	D-12B	SiC	0.035	WHITE OIL 165ml
27	121-000-47	Packing	1	40PU2.15-52/62	NBR		*
28	121-246-11	Packing	1	d10.3xd16x2l	PE	0.001	*
29	035-127-15	Oil Plug	1	M10x15	SUS304	0.01	
30	020-001-22	Pump Casing (Upper)	1	OM(A)2	Resin		
31	143-000-03	Truss Screw (w/O-Ring)	4	M6x20(P-5,NBR)	SUS304		
32	203-065-11	Valve	1	d17	Glass		
33	121-000-48	Packing	1	OM(A)2	NBR		*
34	142-390-16	Conical Spring Washer	1	d9.2xd18x0.7l	SUS304		
35	021-004-71	Impeller (50Hz)	1	OM(A)2	Resin		
35	021-004-72	Impeller (60Hz)	1	OM(A)2	Resin		
36	143-173-14	Truss Screw (w/Plain Washer)	1	M5x10	SUS304	0.001	
37	020-001-23	Pump Casing (Upper)	1	OM(A)2	Resin		
38	143-000-15	Tapping Screw (w/Plain Washer)	3	M5x30	SUS304		
39	023-000-42	Strainer Stand	1	OM2	Resin		
40	143-000-18	Tapping Screw (w/Plain Washer)	6	M5x50	SUS304		
		<Packing O-Ring Set>					
173-		Packing O-Ring Set	1set	(*)			

# Exploded View OMA2



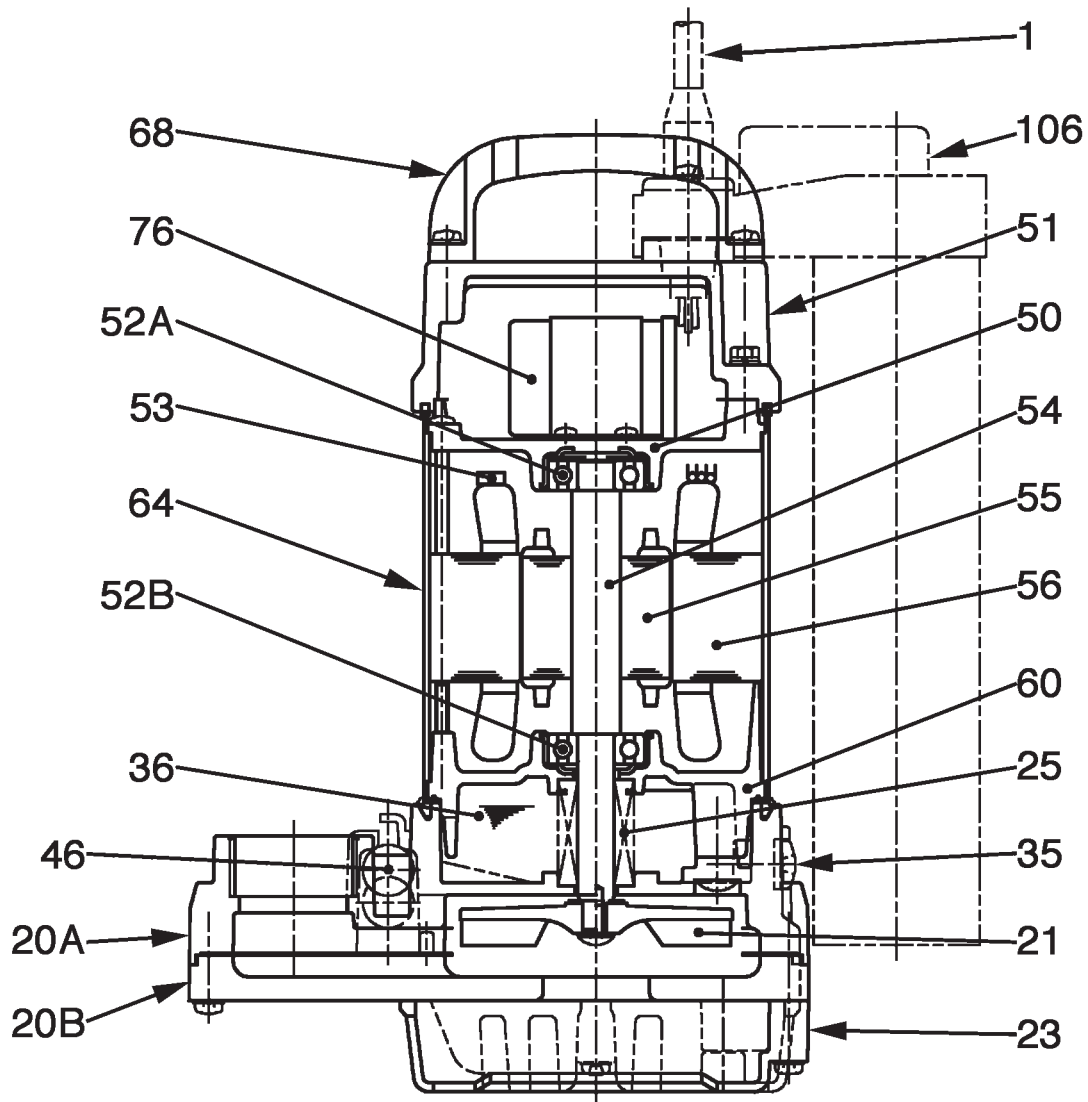
OMA2

# Dimensional Drawing OMA2



OMA2 (A-14082-1)

# Sectional Drawing OMA2



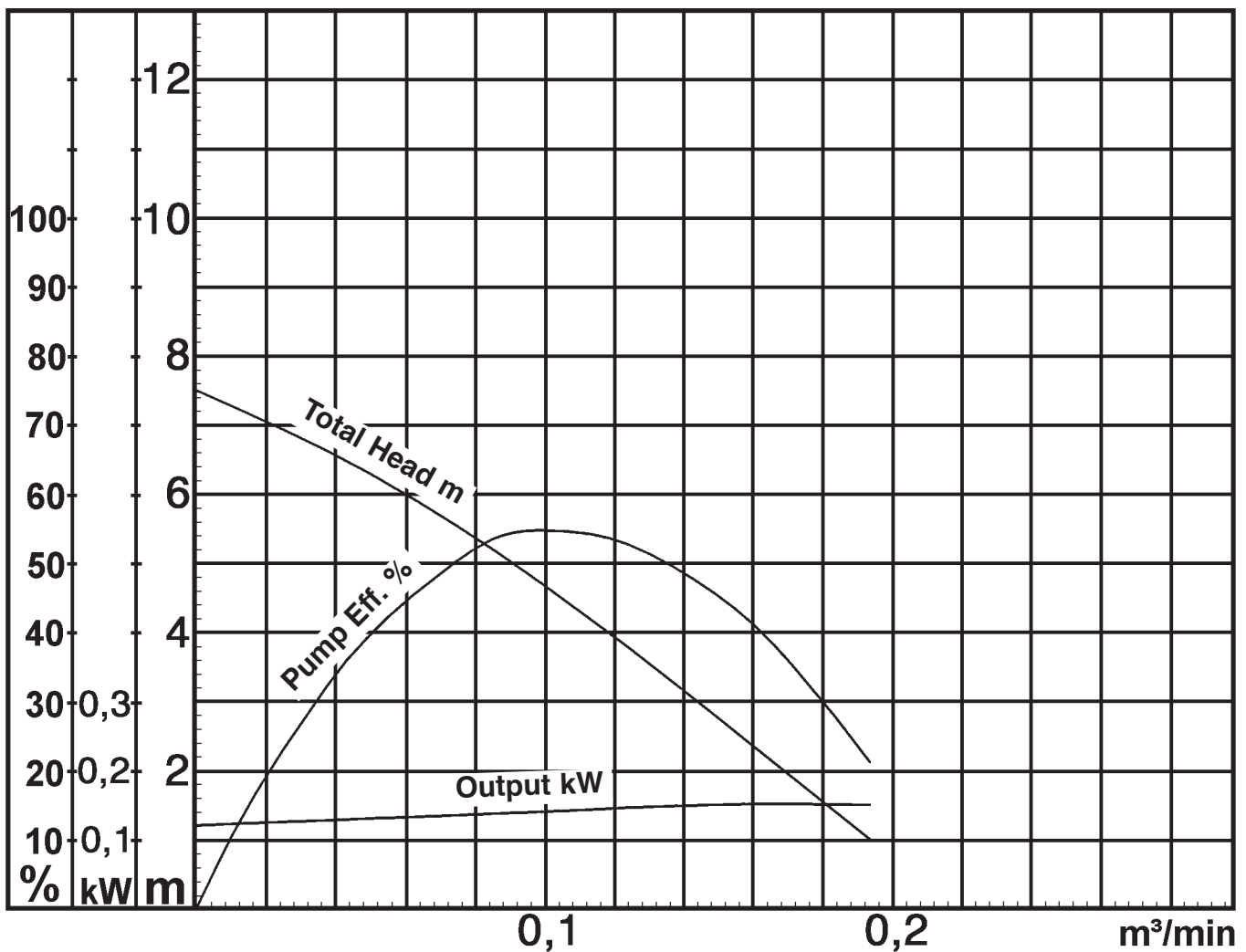
OMA2 (A-14083-1)

No.	Description	Qty.	Remarks	No.	Description	Qty.	Remarks
1	Cabtyre Cable	1	H07RN-F	54	Shaft	1	SUS403 (EN-X6Cr13)
20A	Casing Upper Half	1	Plastic W/GF	55	Rotor	1	
20B	Casing Lower Half	1	Plastic W/GF	56	Stator Complete	1	
21	Impeller	1	Plastic W/GF	60	Bearing Housing	1	Aluminium Die Casting
23	Strainer	1	Plastic	64	Motor Frame	1	SUS304 (EN-X5CrNi18-10)
25	Mechanical Seal	1	D-12B	68	Handle	1	Plastic
35	Oil Plug	1	SUS304 (EN-X5CrNi18-10)	76	Capacitor	1	
36	Lubricant		White Oil (ISO VG15)	106	Float	1	Plastic
46	Air Release Valve	1	Glass Ball				
50	Motor Bracket	1	Aluminium Die Casting				
51	Head Cover	1	Plastic W/GF				
52A	Upper Bearing	1	6201ZZC3				
52B	Lower Bearing	1	6201ZZC3				
53	Motor Protector	1					

# Pump Performance Curve

## OMA2

Discharge Bore	32 mm
Total Head	max. 7,5 m
Capacity	max. 0,195 m <sup>3</sup> /min
Motor Output	0,15 kW
Motor Input	0,305 kW
Phase	1
Voltage	110/230 V
Frequency	50 Hz
Rated Current	3,1/1,6 A
Starting Current	8,1/4,3 A
Poles	2
Revolution	S.S. 2850 r.p.m.
Starting Method	capacitor
Insulation Class	E



OMA2 (A-1)