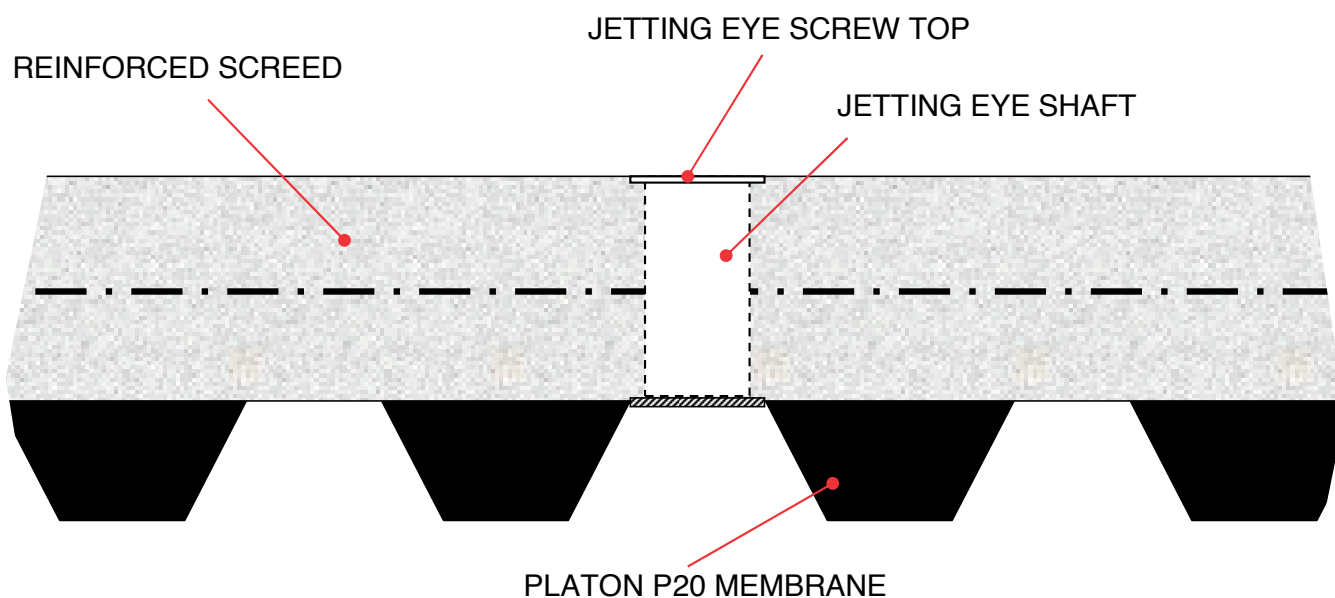


Jetting eye fitted through Platon P20 membrane and reinforced floor screed

Drawing No. (I P 017.1)



© Triton Systems

All installations to be strictly in accordance with manufacturer's guidelines which are set out in the Isola Manual. For any non-standard details, please contact our technical department on 01322 318830



Triton Systems

Units 3 – 5 Crayford Commercial Centre,
Greyhound Way, Crayford, Kent DA1 4HF

Tel: 01322 318830 Fax: 01322 524017 Email: info@tritonsystems.co.uk

www.tritonsystems.co.uk