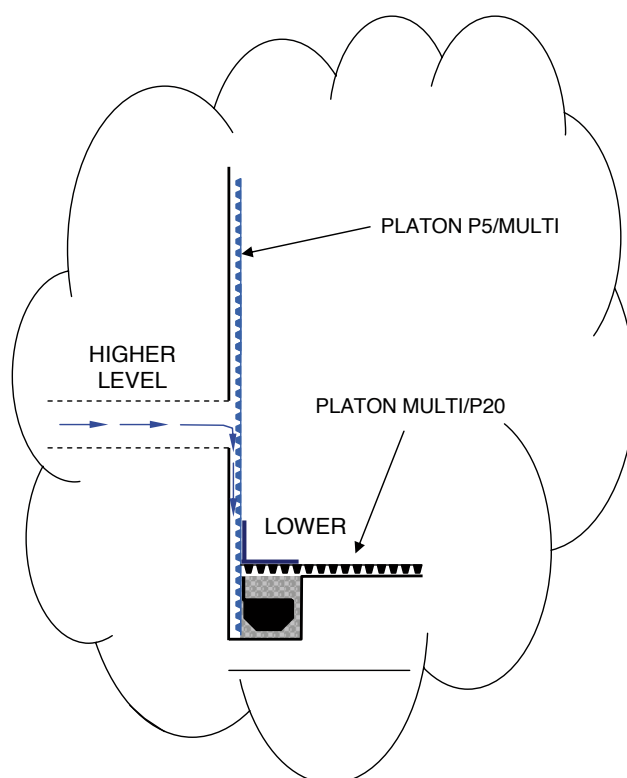
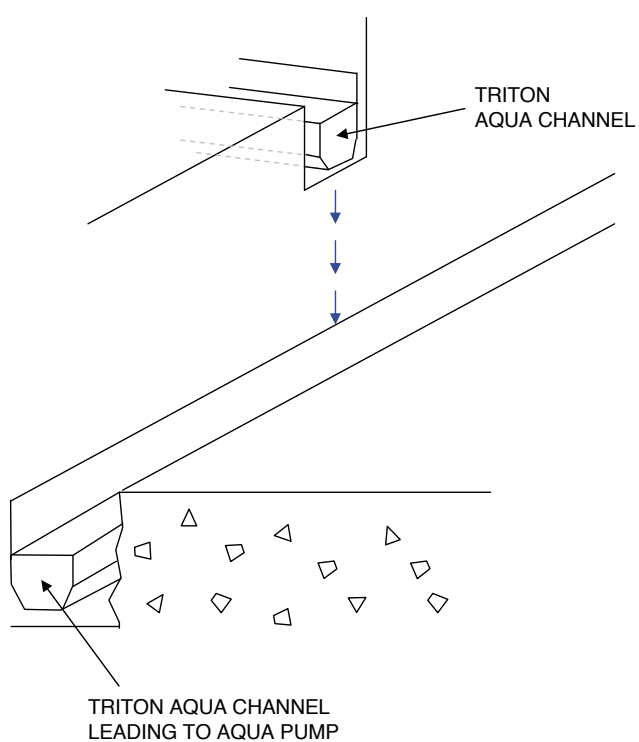


# 'Split floor level' Aquachannel installation Drawing No. (I P 023.1)



© Triton Chemical Manufacturing Company Limited

All installations to be strictly in accordance with manufacturer's guidelines which are set out in the Isola Manual. For any non-standard details, please contact our technical department on 020 8310 3929



**Triton Chemical Manufacturing Co. Ltd.**

Triton House, Lyndean Industrial Estate,

129 Felixstowe Road, Abbeywood, London SE2 9SG

Tel: 020 8310 3929 Fax: 020 8312 0349 Email: [info@triton-chemicals.com](mailto:info@triton-chemicals.com)

[www.triton-chemicals.com](http://www.triton-chemicals.com)